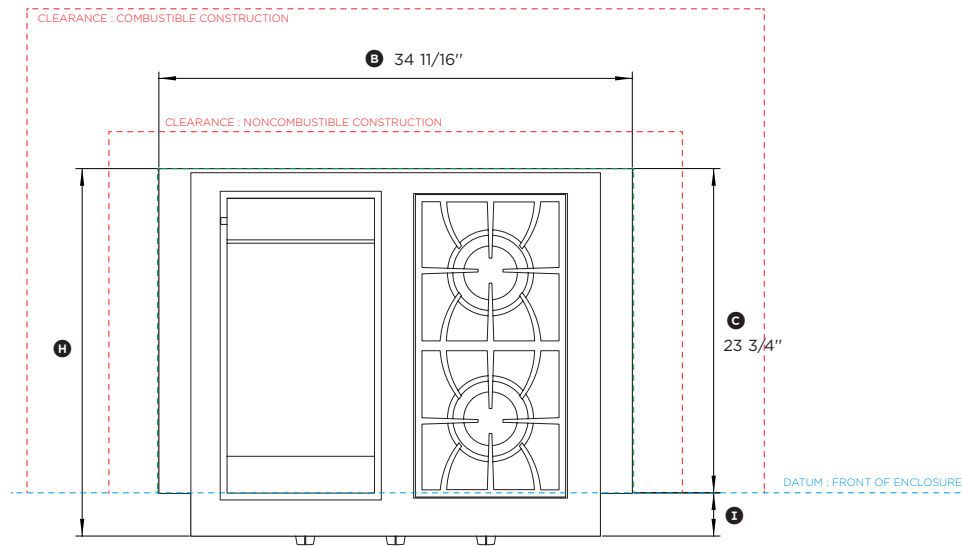
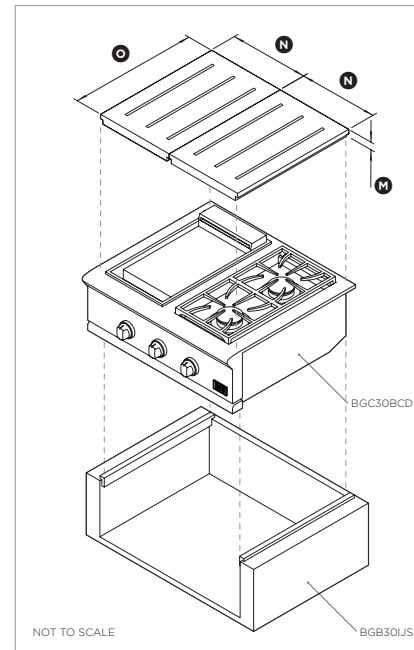


Data sheet

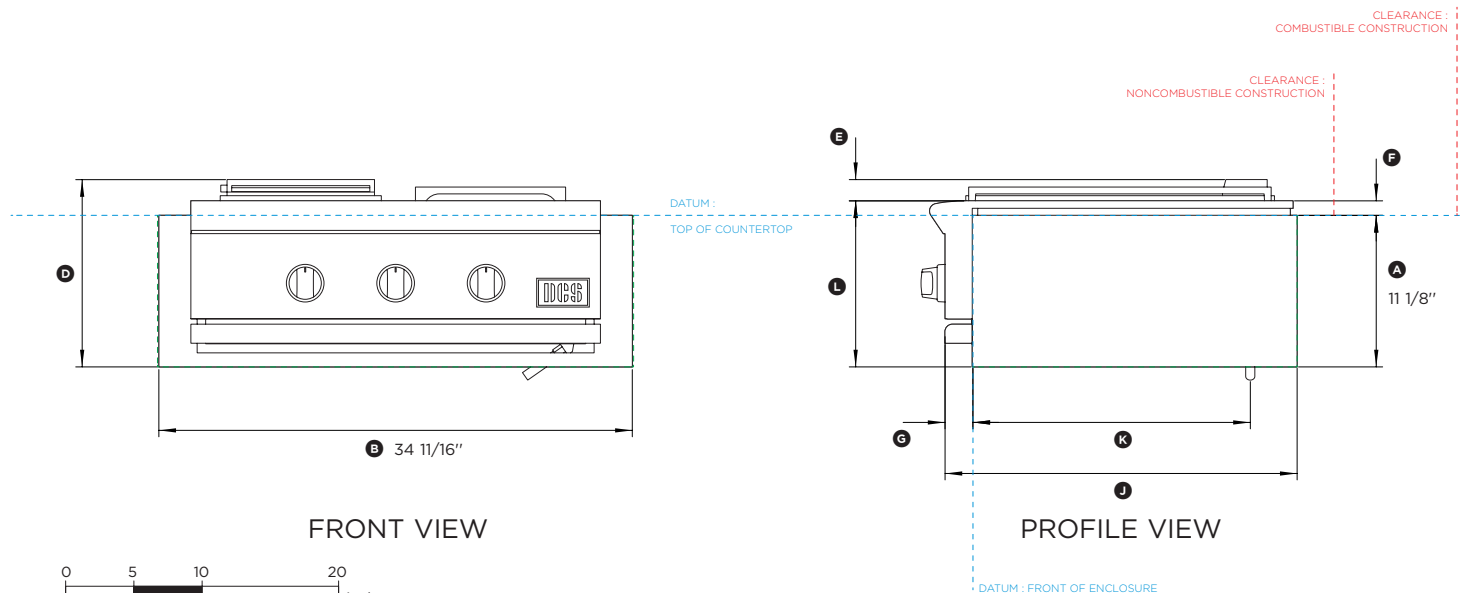
30" Liberty Grill with Insulation Jacket



PLAN VIEW

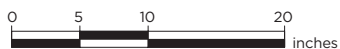


NOT TO SCALE



FRONT VIEW

PROFILE VIEW



Model no:

**BFGC30BGD with BGB30IJS**

(refer page 2 for metric measurements)

Dimensions	in
Ⓐ Height of insulation jacket below countertop	11 1/8"
Ⓑ Overall width of insulation jacket	34 11/16"
Ⓒ Depth from front datum to rear of insulation jacket	23 3/4"
Ⓓ Overall height of grill with insulation jacket	13 11/16"
Ⓔ Height from top of grill to top of chassis	1 9/16"
Ⓕ Height from top of chassis to countertop	1 1/16"
Ⓖ Depth from control panel to front datum	2 1/16"
Ⓗ Overall depth of grill with insulation jacket (excluding dials)	26 15/16"
Ⓘ Depth from front of product to front datum (excluding dials)	3 3/16"
Ⓛ Depth from control panel to rear of insulation jacket	25 13/16"
Ⓚ Distance from gas inlet to front datum	20 5/16"
Ⓛ Height from top of chassis to bottom of insulation jacket	12 3/16"
Ⓜ Height of lid	1 3/4"
Ⓝ Width of (individual) lid	14 3/16"
Ⓞ Depth of lid	23"

Minimum Clearances	in
Overall width of cavity	34 7/8"
Overall depth of cavity	23 3/4"
Overall height of cavity	11 1/8"
Clearance to adjacent vertical combustible construction from sides and rear of grill above countertop level	12"
Clearance to vertical non-combustible surface above countertop at rear	3"
Clearance to vertical non-combustible surface above countertop at sides	6"

INDICATES CUTOUT .....  
 INDICATES PRODUCT DATUM .....  
 INDICATES CLEARANCES .....

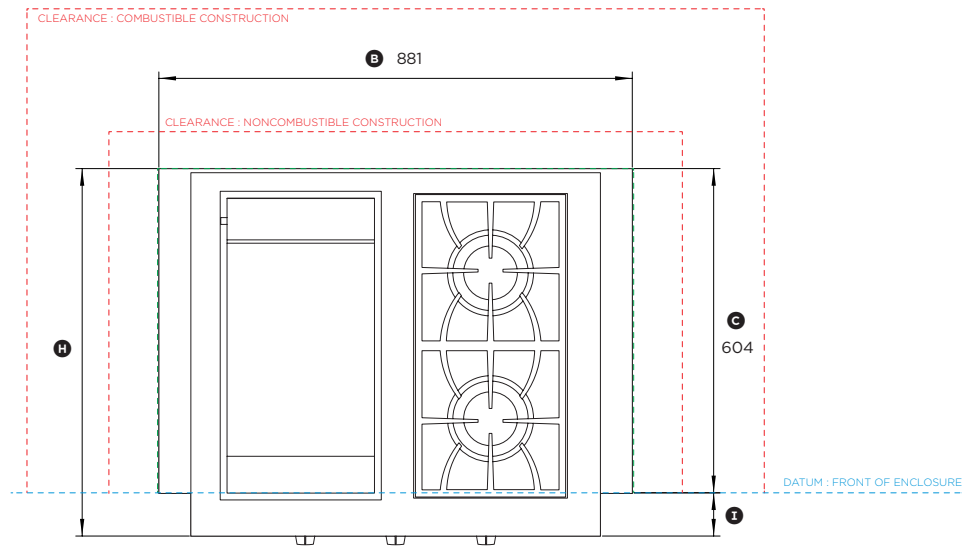
DATE: **27.02.2024** 90000071B

IMPORTANT NOTE: Throughout this guide, dimensions may vary by ±2mm (3/32"). Please read the installation manual for detailed information on installing the product. [www.dcsappliances.com](http://www.dcsappliances.com)

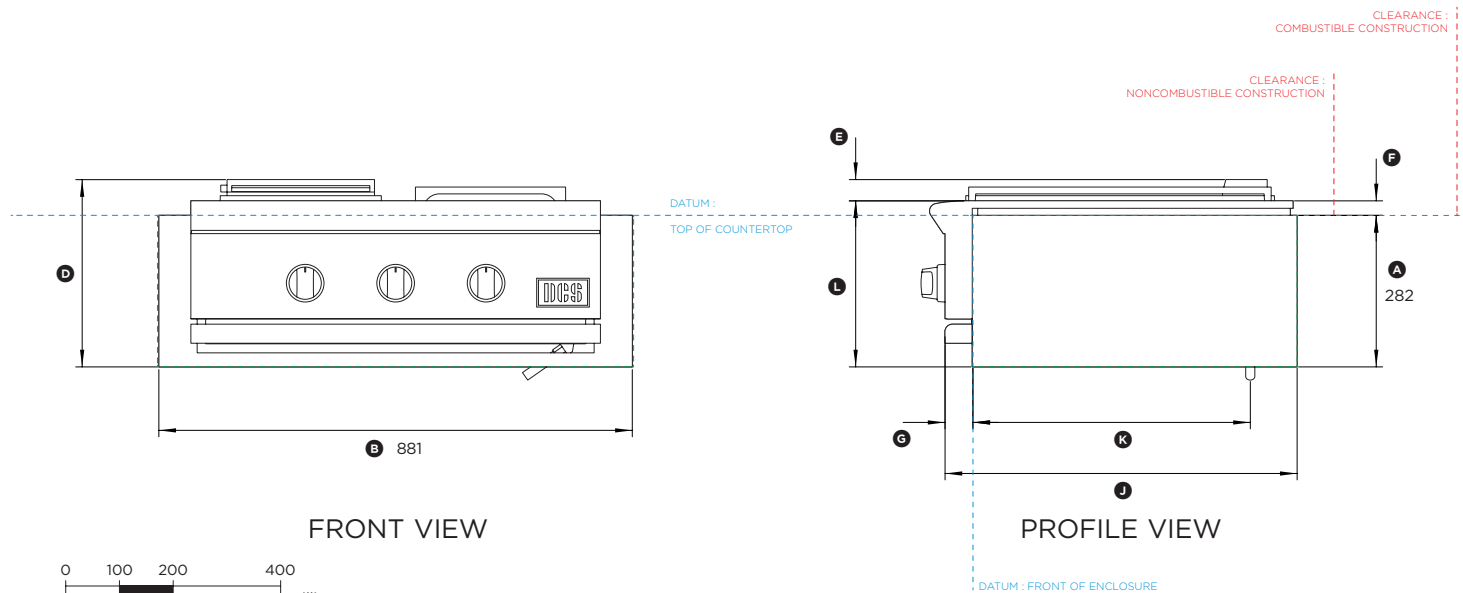
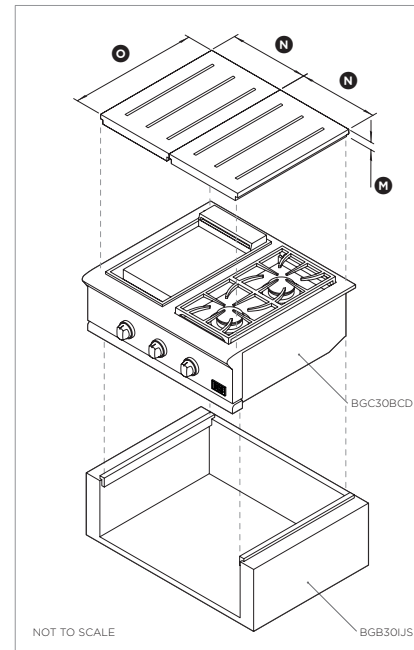


# Data sheet

# 30" Liberty Grill with Insulation Jacket



PLAN VIEW



FRONT VIEW

PROFILE VIEW



Model no:

**BFGC30BGD with BGB30IJS**

(refer page 1 for imperial measurements)

Dimensions	mm
Ⓐ Height of insulation jacket below countertop	282
Ⓑ Overall width of insulation jacket	881
Ⓒ Depth from front datum to rear of insulation jacket	603
Ⓓ Overall height of grill with insulation jacket	348
Ⓔ Height from top of grill to top of chassis	40
Ⓕ Height from top of chassis to countertop	27
Ⓖ Depth from control panel to front datum	52
Ⓗ Overall depth of grill with insulation jacket (excluding dials)	684
Ⓘ Depth from front of product to front datum (excluding dials)	80
Ⓛ Depth from control panel to rear of insulation jacket	655
Ⓜ Distance from gas inlet to front datum	516
Ⓝ Height from top of chassis to bottom of insulation jacket	309
Ⓞ Height of lid	45
Ⓟ Width of (individual) lid	361
Ⓠ Depth of lid	585

Minimum Clearances	mm
Overall width of cavity	886
Overall depth of cavity	603
Overall height of cavity	282
Clearance to adjacent vertical combustible construction from sides and rear of grill above countertop level	305
Clearance to vertical non-combustible surface above countertop at rear	77
Clearance to vertical non-combustible surface above countertop at sides	153

INDICATES CUTOUT .....  
 INDICATES PRODUCT DATUM .....  
 INDICATES CLEARANCES .....

DATE: 27.02.2024

90000071B

IMPORTANT NOTE: Throughout this guide, dimensions may vary by ±2mm (3/32"). Please read the installation manual for detailed information on installing the product. [www.dcsappliances.com](http://www.dcsappliances.com)

